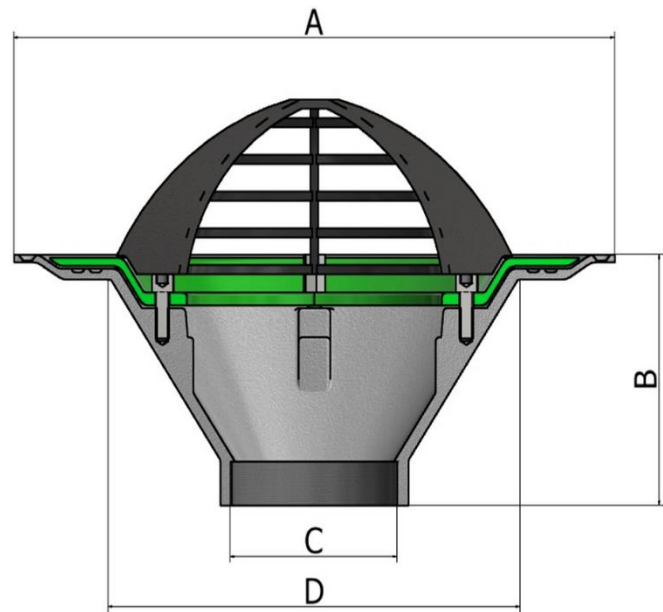


IKO Flat Grate Roof Outlet

Technical Data Sheet
June 2024

PRODUCT INFORMATION



Product Code	Pipe connection size (O.D)	A	B	C	D	Max. Flow rate (l/s)
581F0082	82mm	377	111	82	255	5
581F0110	110mm	377	136	110	255	10.7
581F0160	160mm	377	111	160	255	19

Flow rates are measured at 35mm head of water for outlets up to 110mmØ and 45mm head of water for 160mmØ outlets, in accordance with BS EN 1253-2. Units are supplied with 500mm long threaded PVCu pipe connectors

PRODUCT INFORMATION

Unbeatable drainage flow performance – the outlets have been engineered for unbeatable drainage flow performance and in most cases are only restricted by the maximum allowed water capacity of the connecting pipework.

Save on project costs by reducing rainwater pipe requirements - Compared to many conventional outlets, the performance figures of this one reduce the number of outlets required to drain an area, thereby reducing the rainwater pipe and underground drainage requirements, offering significant savings.

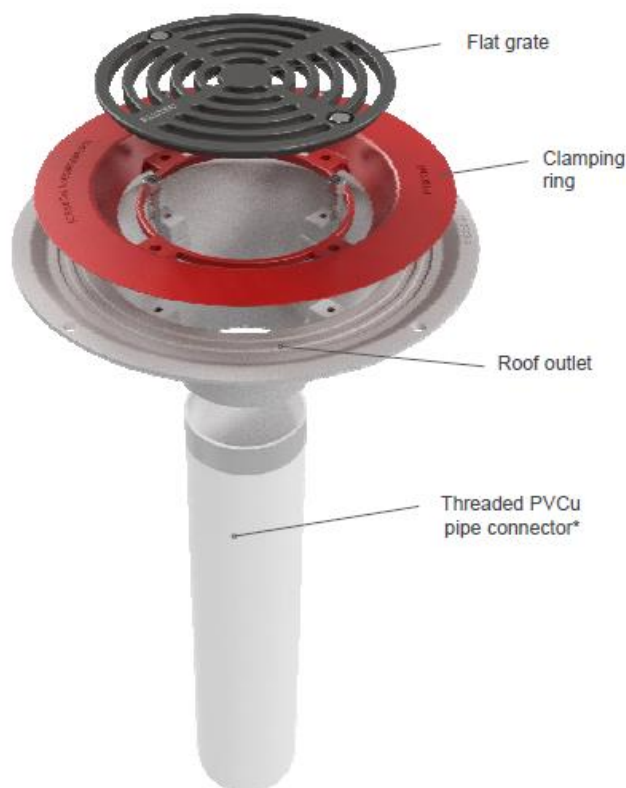
Tested to extremes! - Typically, within roof drainage design, the peak rainwater design depth at an outlet will not exceed 35mm. To ensure ultimate reliability and confidence, the outlet range has been rigorously tested to withstand water depths surpassing 1m.

Prevents cold bridging - The range incorporates PVCu pipe connectors, providing an air tight seal and thermal break between the outlet body and connecting pipework.

Connects to all common pipe sizes - The roof outlet range connects to all common PVCu, HDPE and socketless cast iron pipework sizes.

Fire protection - The threaded PVCu pipe connectors are manufactured from BS EN 1329 pipework and are therefore suitable for use with pipe wraps and fire collars.

SYSTEM COMPONENTS





MAINTENANCE

For optimum performance, roof outlets should be inspected and cleaned every six months to ensure peak operation.

STANDARDS

All systems are manufactured to and in excess of the appropriate BS or EN Standards.

DISCLAIMER

Whilst every precaution is taken to ensure that the information given in this literature is correct and up to date it is not intended to form part of any contract or give rise to any collateral liability, which is hereby specifically excluded.

IKO reserves the right to amend and/or withdraw this document without notice.

Intending purchasers of our materials should therefore verify with the company whether any changes in our specification, application details, withdrawals or otherwise have taken place since this literature was issued.

IKO PLC

Appley Lane North
Appley Bridge
Wigan
WN6 9AB

IKO PLC

Prospect Quarry
Grangemill
Matlock
DE4 4BW

IKO Polymeric

Coney Green Road
Clay Cross
Chesterfield
S45 9HZ

t: 01257 255771

e: getintouch.uk@iko.com

